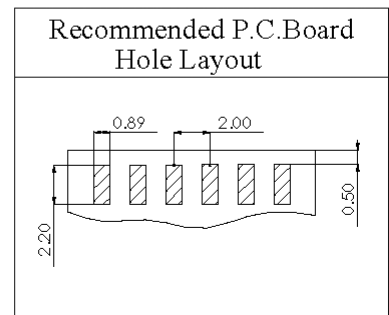
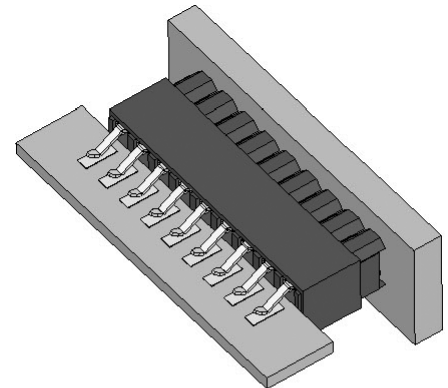
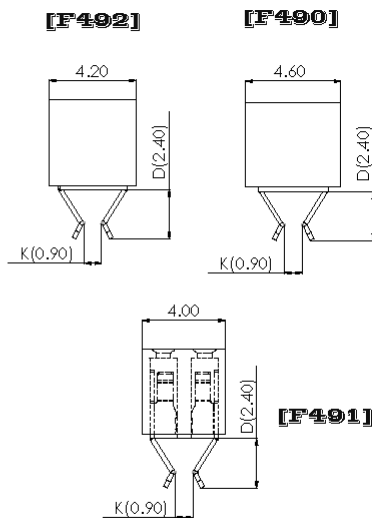
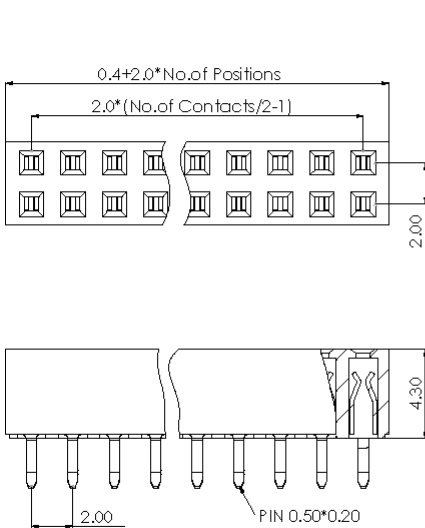
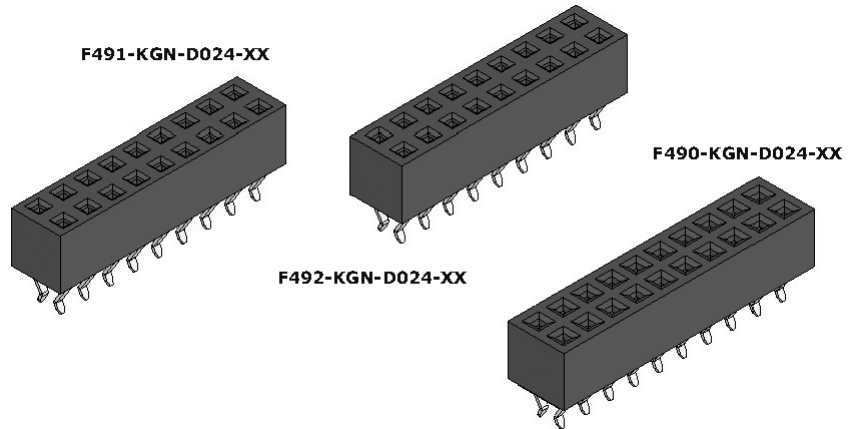


Female Header 2.0 mm

180° Series

SPECIFICATIONS

- Current Rating: 2 A
- Insulator Resistance: 3000 MOhm min.
- Contact Resistance: 20 mOhm max.
- Dielectric Withstanding: AC 500 V
- Operating Temperature: -40°C ~ +105°C
- Soldering Temperature: 260°C for 3~5 sec. max
- Contact Material: Phosphor Bronze
- Insulator Material: Polyester, UL 94V-0
- Standard: Nylon-6T
- Finish: Tin, Gold or Duplex Plated
- Standard: Gold Flash all over
- Note: Duplex Plating: Gold Plated on contact area, Tin on solder area



How to order

Unit: mm

Series	Connector Type	Contact Plating	Material	Pin Length mm	Number of Contacts
FXXX	- X	X	X -	DXXX	- XX
F490:F/H 2.00 H:4.30 Dual Row F491:F/H 2.00 H:4.30 Dual Row F492:F/H 2.00 H:4.30 Dual Row	K:"K" Type K:0.90 :	G:Gold Flash T: Tin Plated A:10U"Gold B:15U"Gold C:20U"Gold ©Duplex Plating D:Gold Flash/Tin (Standard:G)	A:PA-46 N:Nylon-6T (Standard:N)	K-D D024	(04 TO 80Contacts)